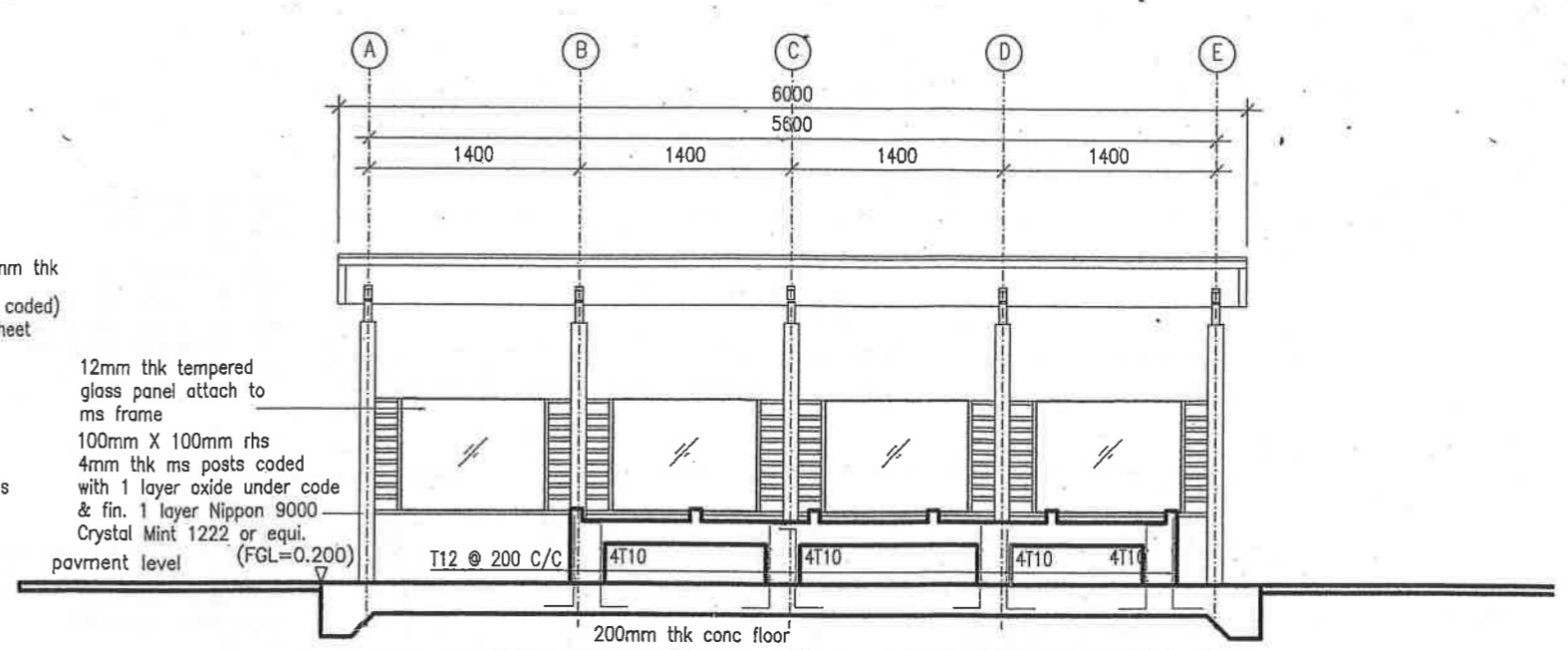
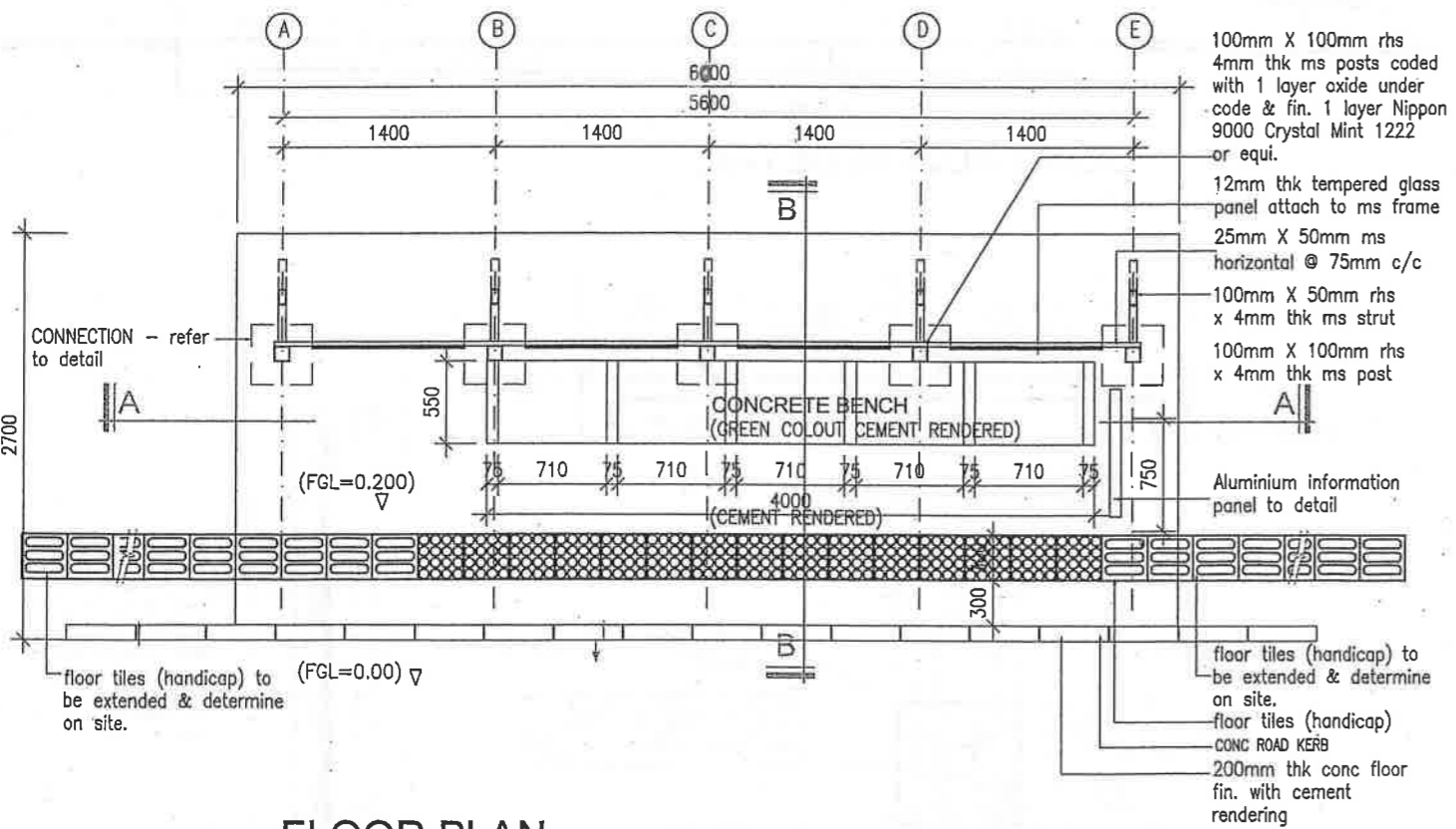


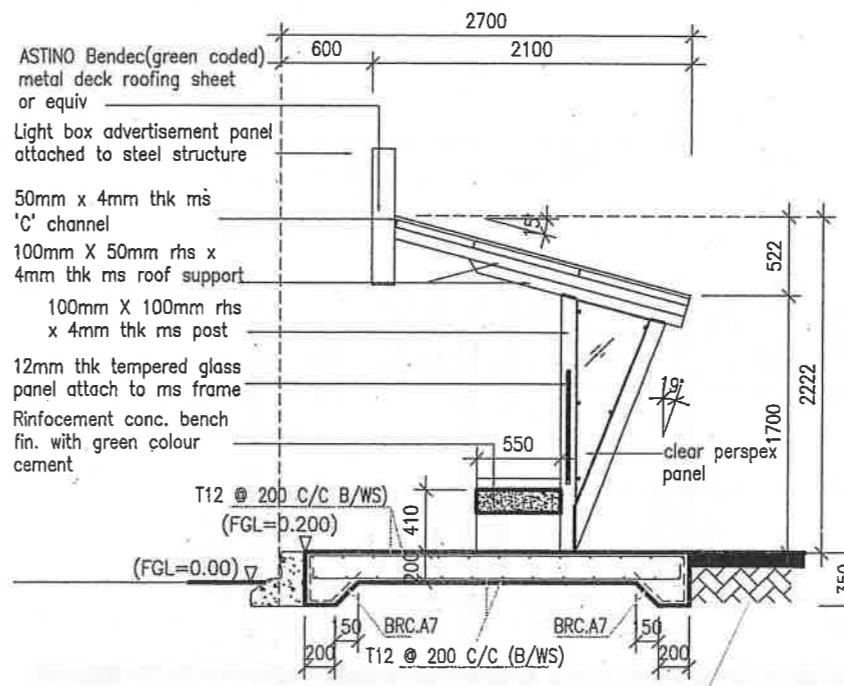
ROOF PLAN
SCALE : 1 : 50



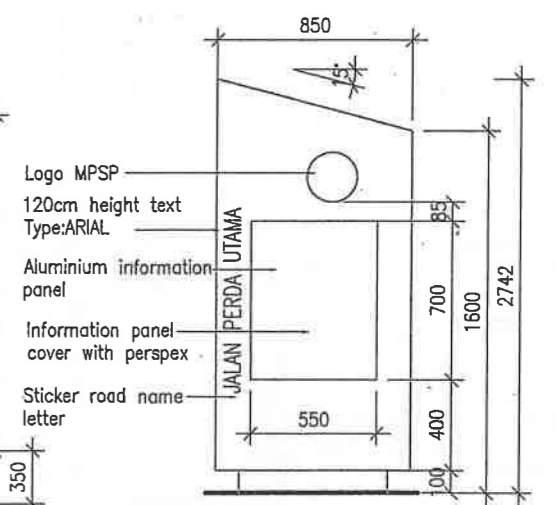
SECTION A-A
SCALE : 1 : 50



FLOOR PLAN
SCALE : 1 : 50



SECTION B-B
SCALE : 1 : 50



INFORMATION PANEL
SCALE : 1 : 25

- NOTED:**
1. All ms steel member to be coded with 1 layer oxide under code & fin. 1 layer Nippon 9000 Crystal Mint 1222 or equi.
 2. All Rinforcement concrete bench to be finished with green colour cement
 3. All concrete flooring to be finished cement rendering.
 4. All roof to be Green colour coded ASTINO Bendec roofing sheet or equiv.
 5. All roof to be Green colour coded ASTINO Bendec roofing sheet or equiv.
 6. All electrical supplies by others

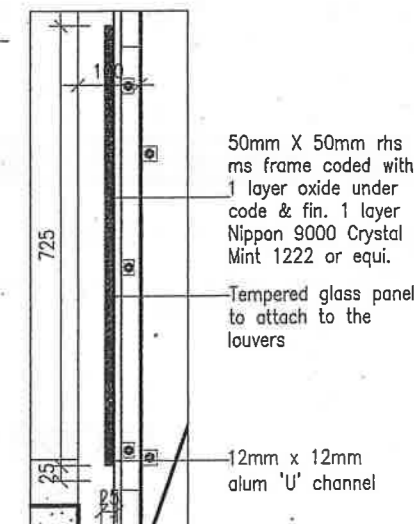
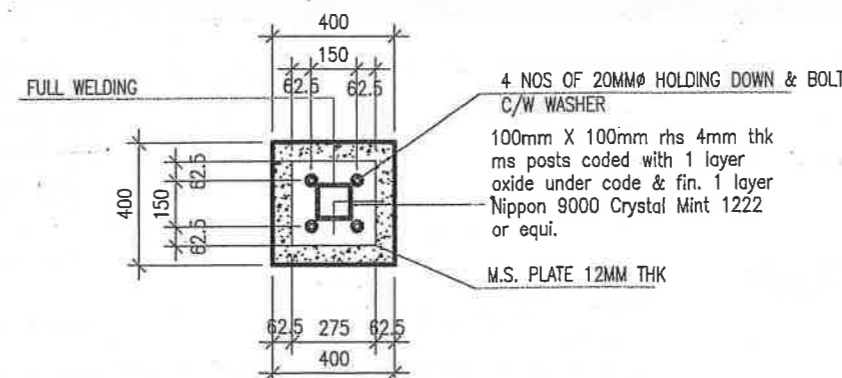
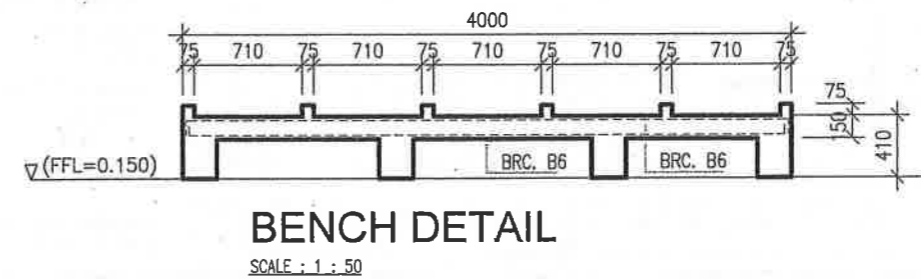
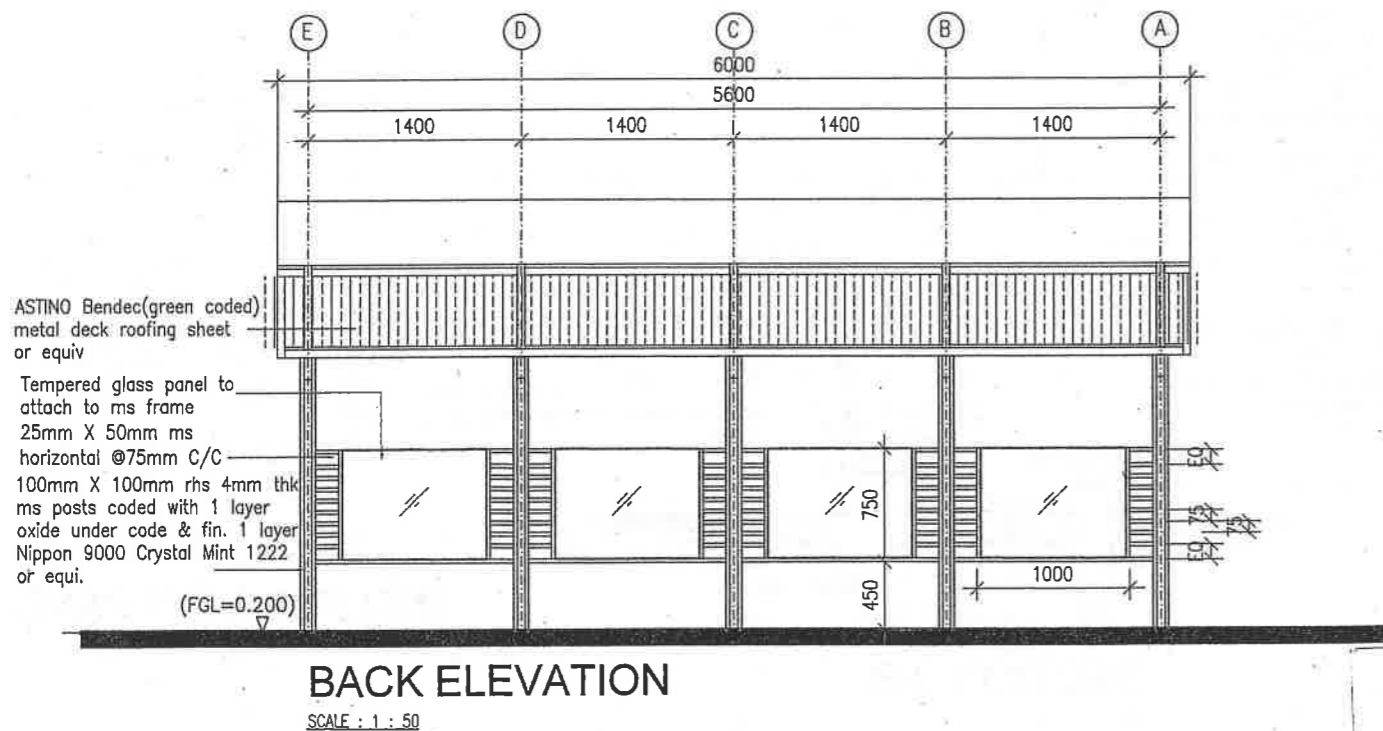
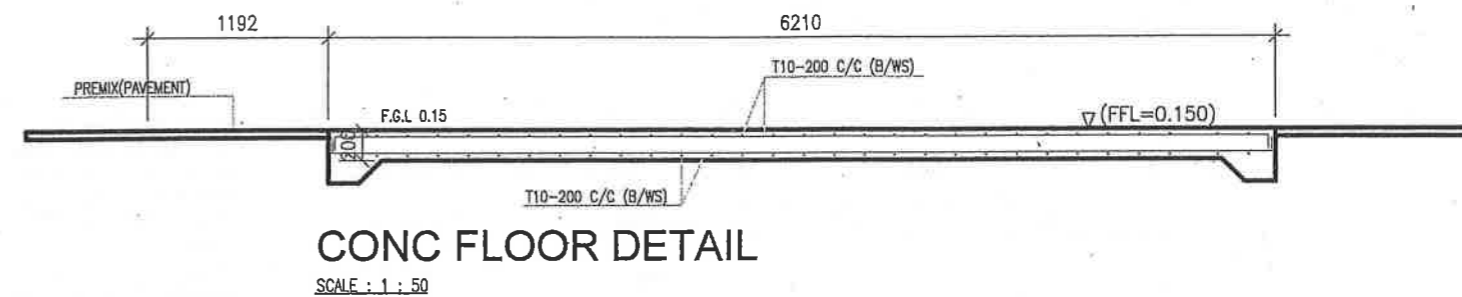
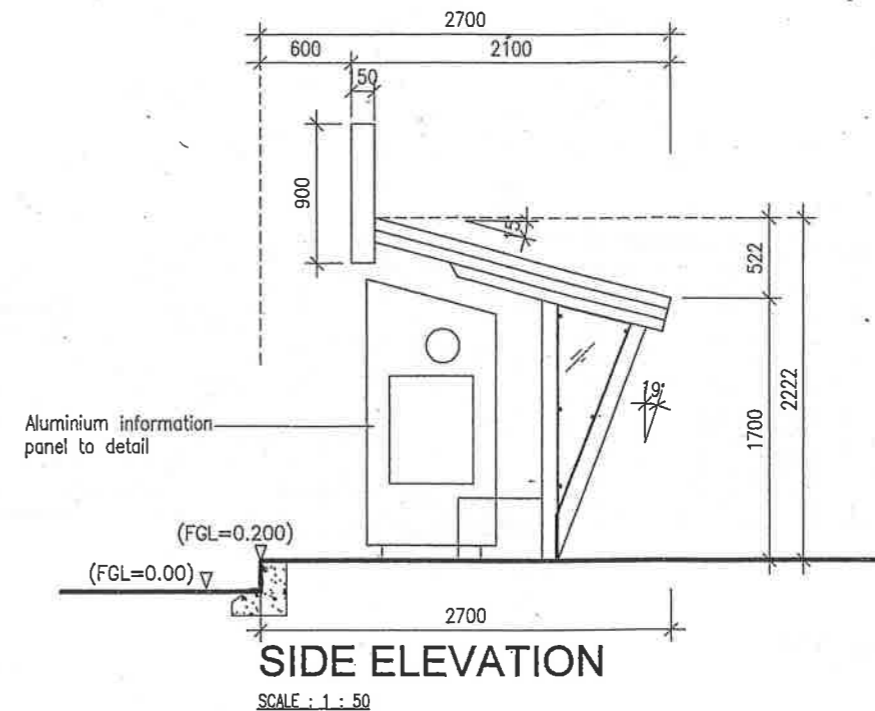
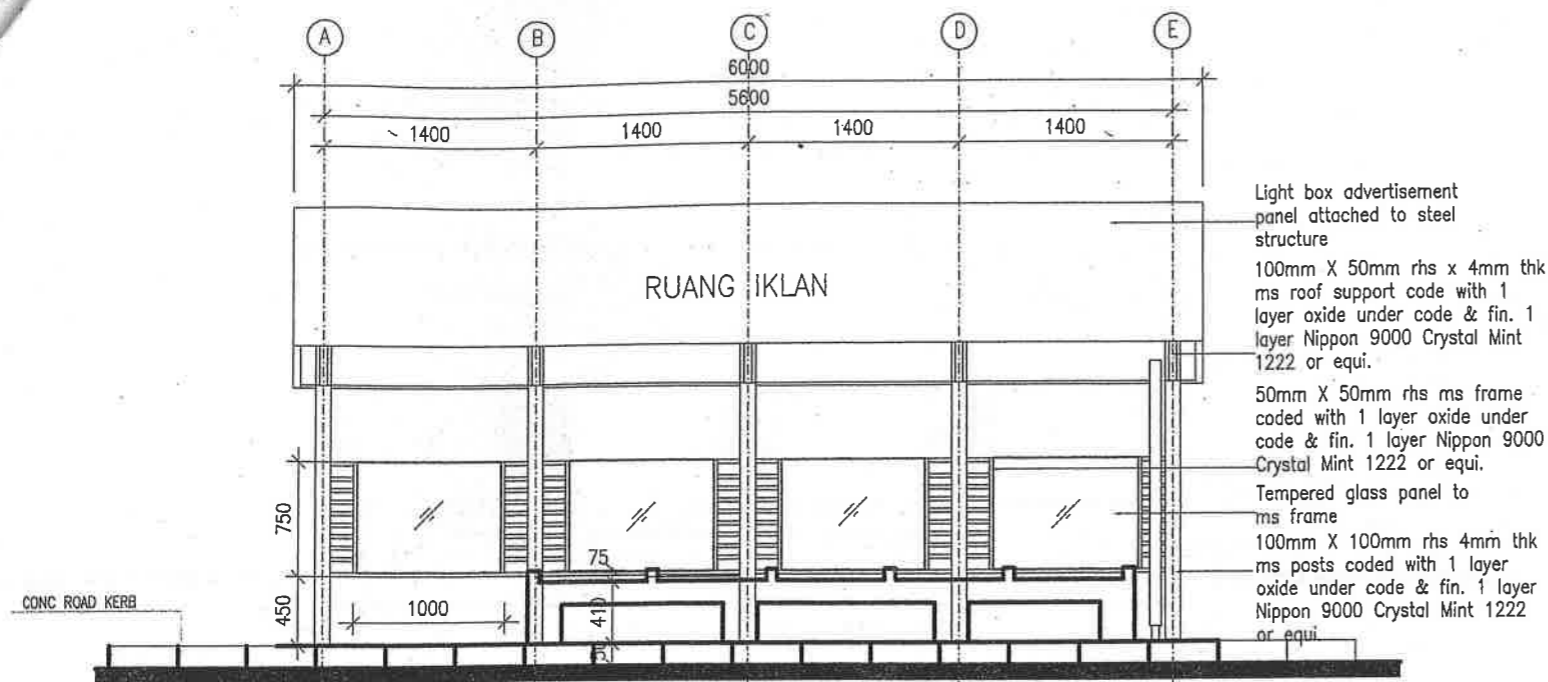
NOTE : ALL DETAIL TO CHECK AND CONFRIM WITH MAJLIS PERBANDARAN SEBERANG PERAI, JABATAN KEJURUTERA.

- NOTES :**
1. ALL WORKS TO BE CARRIED OUT UNDER THE SUPERVISION OF THE ARCHITECT.
 2. ALL 1:100 SCALE BUILDING PLANS, ELEVATIONS AND SECTIONS ARE TO BE READ WITH LARGER SCALE-DETAIL DRAWINGS.
 3. ALL DRAWING DIMENDIONS ARE TO BE VERIFIED ON SITE.
 4. ANY DISCREPANCIES OF DRAWINGS ARE TO BE REFERRED TO ARCHITECT FOR CLARIFICATIONS
 5. CONTRATOR IS TO CHECK AND VERIFY ALL DIMENSIONS BEFORE WORK COMMENCES

| REVISION : | |
|------------|--|
| | |
| | |
| | |
| | |

| TITLE DRAWING : | |
|-----------------|----------------------|
| BUS STOP DETAIL | |
| DRAWN : | DATE : MAR 2014 |
| CHECKED : PSL | SCALE : 1 : 50 |
| PROJECT REF | MR/2010/MPSP/SBSB/20 |
| DRAWING NO | CD/BUS STOP/R0 |

| | |
|--|--|
| | |
| | |
| | |
| | |



- NOTED:
- All ms steel member to be coded with 1 layer oxide under code & fin. 1 layer Nippon 9000 Crystal Mint 1222 or equi.
 - All Rinfocement concrete bench to be finished with green colour cement
 - All concrete flooring to be finished cement rendering.
 - All roof to be Green colour coded ASTINO Bendec roofing sheet or equiv.
 - All roof to be Green colour coded ASTINO Bendec roofing sheet or equiv.
 - All eletrical supplies by others

NOTE : ALL DETAIL TO CHECK AND CONFRIM WITH MAJLIS PERBANDARAN SEBERANG PERAI, JABATAN KEJURUTERA.

- NOTES :
- ALL WORKS TO BE CARRIED OUT UNDER THE SUPERVISION OF THE ARCHITECT.
 - ALL 1:100 SCALE BUILDING PLANS, ELEVATIONS AND SECTIONS ARE TO BE READ WITH LARGER SCALE DETAIL DRAWINGS.
 - ALL DRAWING DIMENDIONS ARE TO BE VERIFIED ON SITE.
 - ANY DISCREPANCIES OF DRAWINGS ARE TO BE REFERRED TO ARCHITECT FOR CLARIFICATIONS
 - CONTRATOR IS TO CHECK AND VERIFY ALL DIMENSIONS BEFORE WORK COMMENCES

| REVISION : | |
|------------|--|
| | |
| | |
| | |
| | |

TITLE DRAWING :
BUS STOP DETAIL

| | |
|------------------------------------|-----------------|
| DRAWN : | DATE : MAR 2014 |
| CHECKED : PSL | SCALE : 1 : 50 |
| PROJECT REF : MR/2010/MPSP/SBSB/20 | 2 |
| DRAWING NO : CD/BUS STOP/RO | 2 |