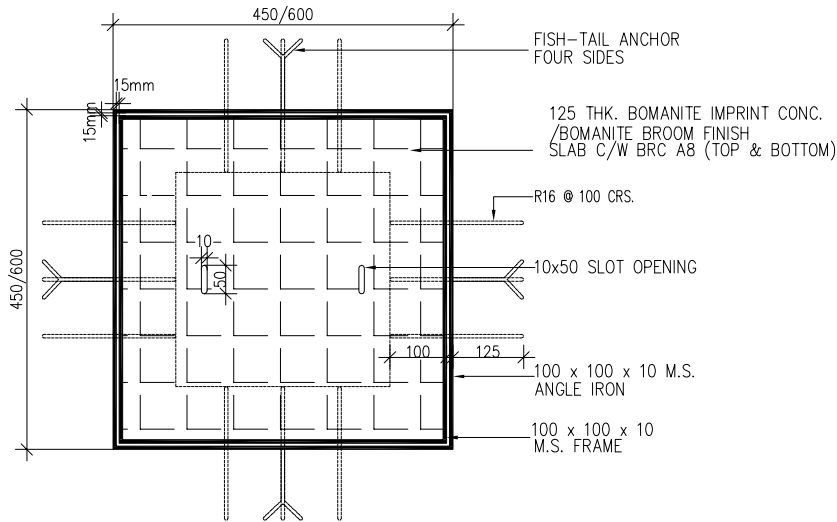
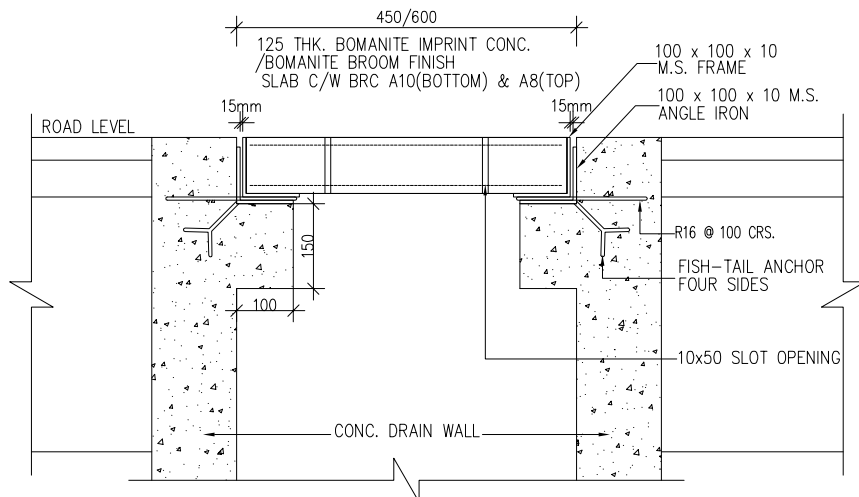


TYPICAL PLAN VIEW OF PROPOSED CONC. SLAB ON TOP OF PROPOSED 450/600 WIDTH CONCRETE DRAIN



PLAN VIEW OF PROPOSED BOMANITE BROOM FINISH CONC. SLAB COVER FOR DRAIN/SUMP AT 6m C.C (UNDER TRAFFIC LOADING)
SCALE 1:10



SECTION VIEW OF PROPOSED CONC. SLAB COVER (UNDER TRAFFIC LOADING)
SCALE 1:10



LUKISAN PIAWAIAN JABATAN KEJURUTERAAN
MAJLIS BANDARAYA SEBERANG PERAI

Tajuk Lukisan: Butiran Concrete Slab Cover with
Bomanite Broom Finishing
(with traffic loading)

MBSP/KEJ/LK/RD/08/Rev.0

Dilukis: Jabatan Kejuruteraan

Disemak: Pengarah
Jabatan Kejuruteraan

Skala Lukisan: Tiada Skala