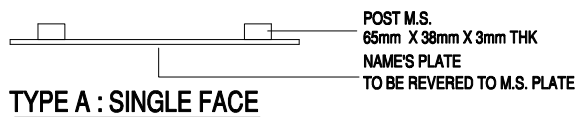
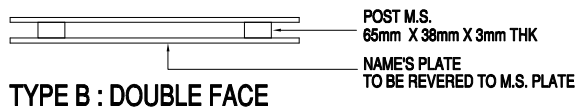


**FRONT ELEVATION**

**SIDE ELEVATION**

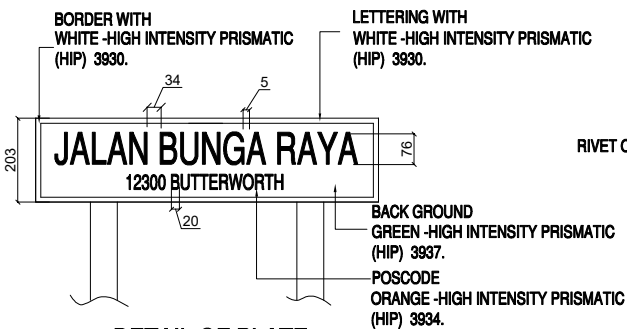


**A Y V**  
**A B C D E F G H I J K L N O P Q R S T U X Z**  
**M W I**

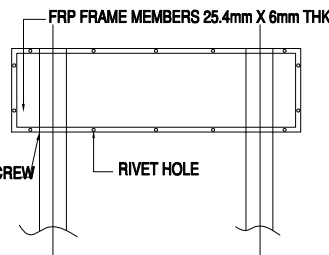


**H** (76 x 38)  
**H** (38 x 19)

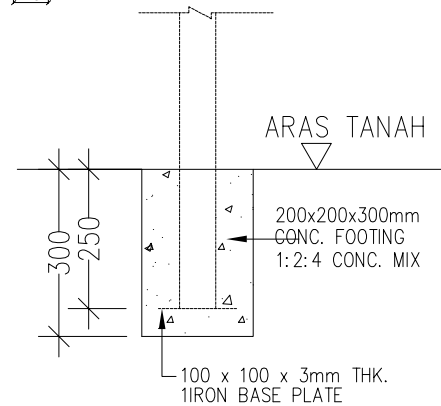
**TOP ELEVATION**



**DETAIL OF PLATE**



**DETAIL OF FRAME**



**BUTIRAN X**

**\*\*NAMA JALAN DAN POSKOD BERBEZA BAGI SETIAP LOKASI\*\***

SIZE	LENGTH X	LENGTH OF THE PLATE
A	100	700 - 849
B	125	850 - 1049

**NOTE:**

3M HIGH INTENSITY PRISMATIC (HIP) COLOR CODE OR EQUIVALENT  
 GREEN -HIGH INTENSITY PRISMATIC (HIP) 3937.  
 WHITE -HIGH INTENSITY PRISMATIC (HIP) 3930.  
 ORANGE -HIGH INTENSITY PRISMATIC (HIP) 3934.  
 POST MS PLATE MEMBER SHALL PAINTED WITH PREMIRE AND 2ND FINISHING SYNTHENTIC RESIN PAINT



LUKISAN PIAWAIAN JABATAN KEJURUTERAAN  
 MAJLIS BANDARAYA SEBERANG PERAI

Tajuk Lukisan: Butiran Patil Nama Jalan MBSP

MBSP/KEJ/LK/RD/11/Rev.0

Dilukis: Jabatan Kejuruteraan

Disemak: Pengarah  
 Jabatan Kejuruteraan

Skala Lukisan: Tiada Skala